



Single Family Residential Patio Cover & Carport Building Guide



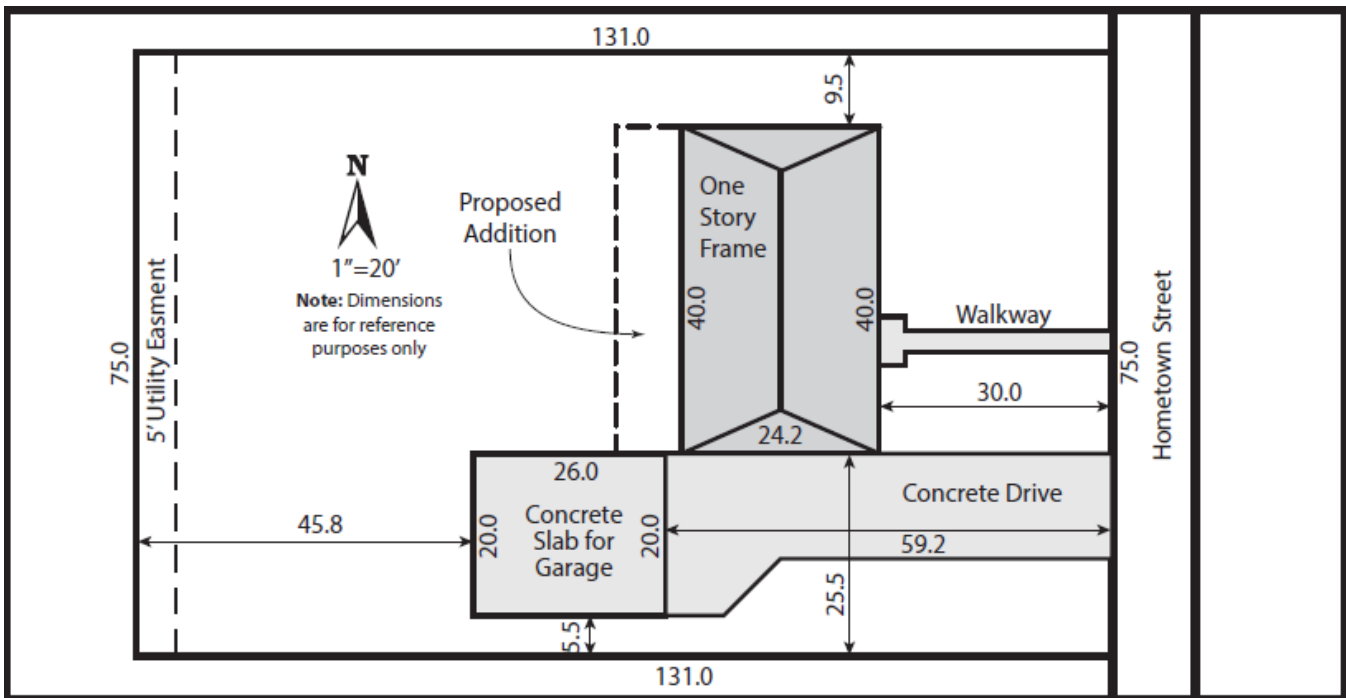
Requirements for Permit Submittal:

1. **Complete this Building Guide**
2. **Provide 1 plot plan, electronic or on 8.5 x 11in paper** (example below)
3. **Fill out Building Permit Application**

The City of Loveland processes all permit submittals electronically. Submittals can be emailed in to eplan-res@cityofloveland.org. Once a full submittal is received and accepted through the check in process, the review time is 5 business days.

The documents submitted help determine if the project is compliant with the International Residential Code, City of Loveland Municipal Codes, zoning ordinances, and other applicable laws.

Plot Plan Example:



The plot plan must include:

1. Dimensions of the home and the patio cover or car port.
2. Dimensions of the entire lot, showing any easements.
3. Distances from each edge of proposed structure to each lot line.

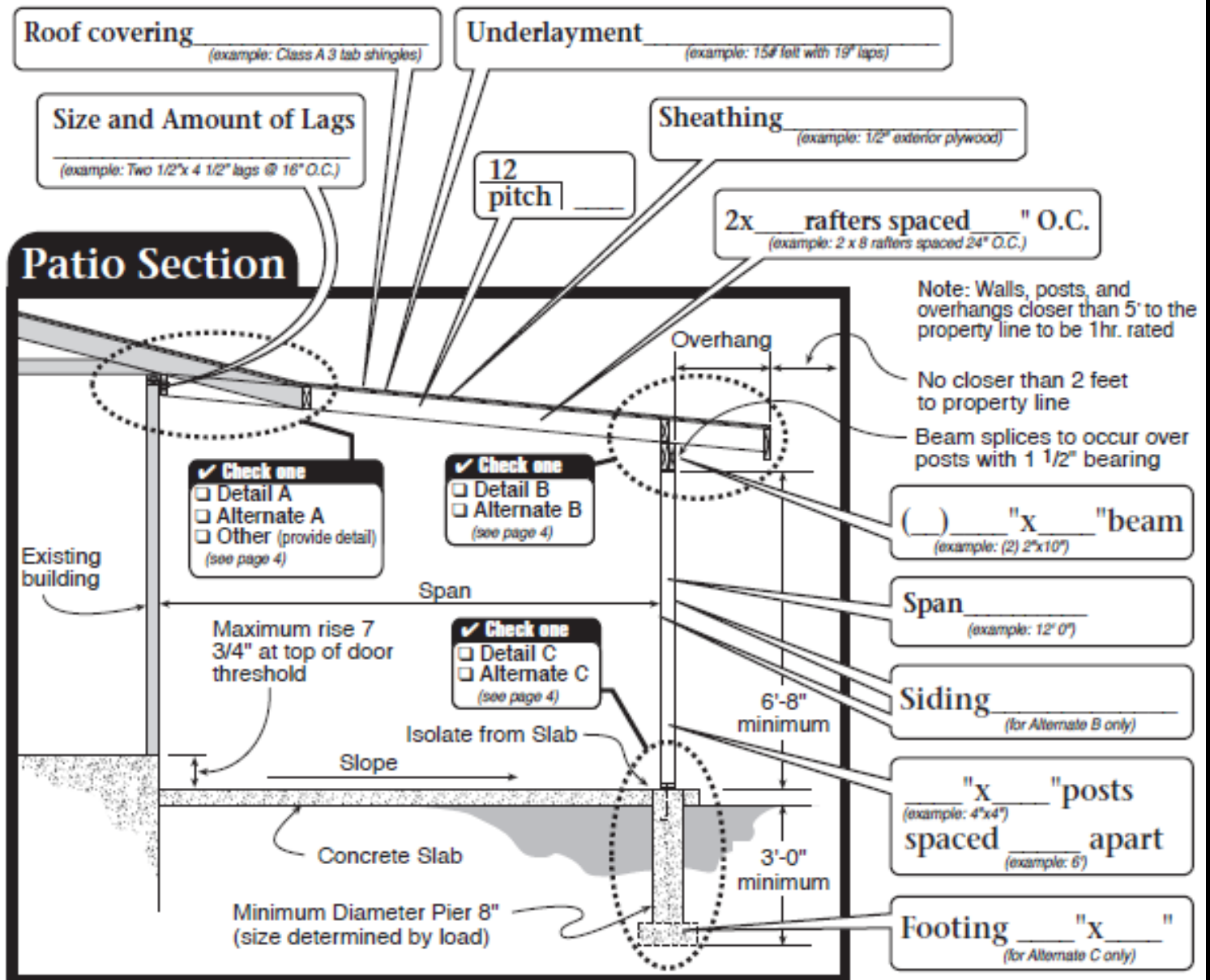
Directions:

1. Fill in the blanks on the worksheet below and include dimensions and materials used.
2. Use the check boxes in the worksheet to specify which details (page 3) will be used.

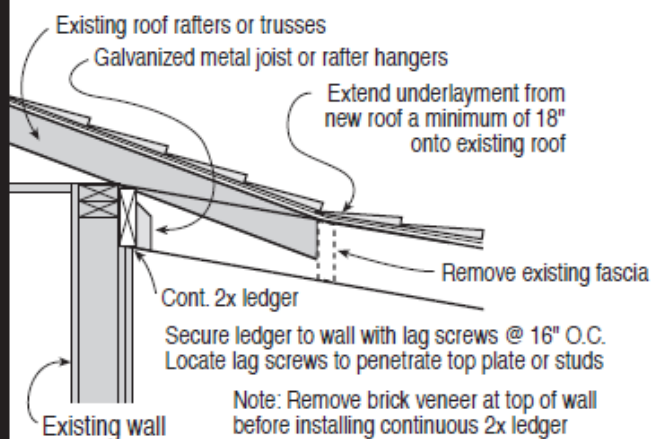
NOTE: if any of the sides on the carport are less than 5 ft. from the property line, that side must be enclosed with a 1 hour rated fire wall (shown in Alternate Details B & C. To conform with building code requirements, two sides of the carport must remain open. Approval from the Planning Division is required.

*Roofing must be installed per manufacturer's instructions

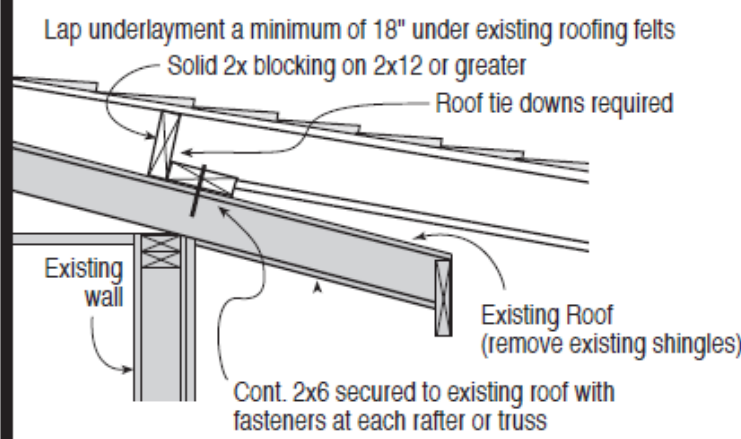
*Patio covers **cannot** be attached to manufactured homes.



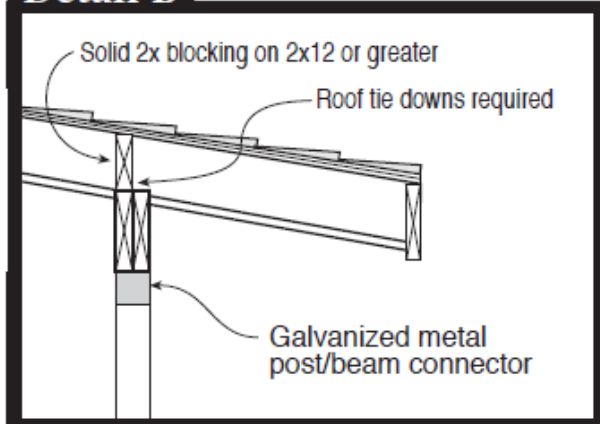
Detail A



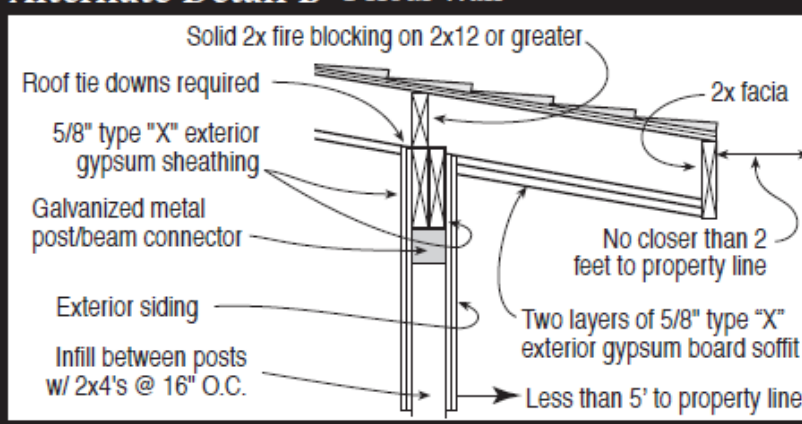
Alternate Detail A



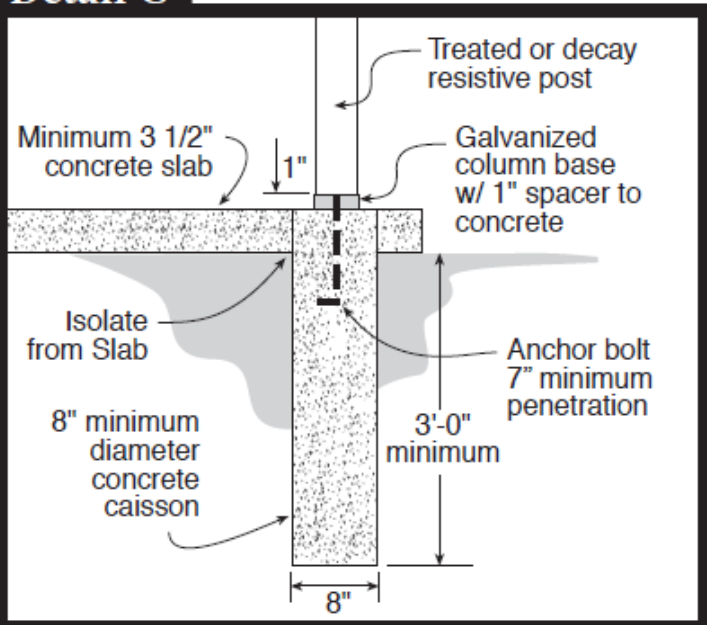
Detail B



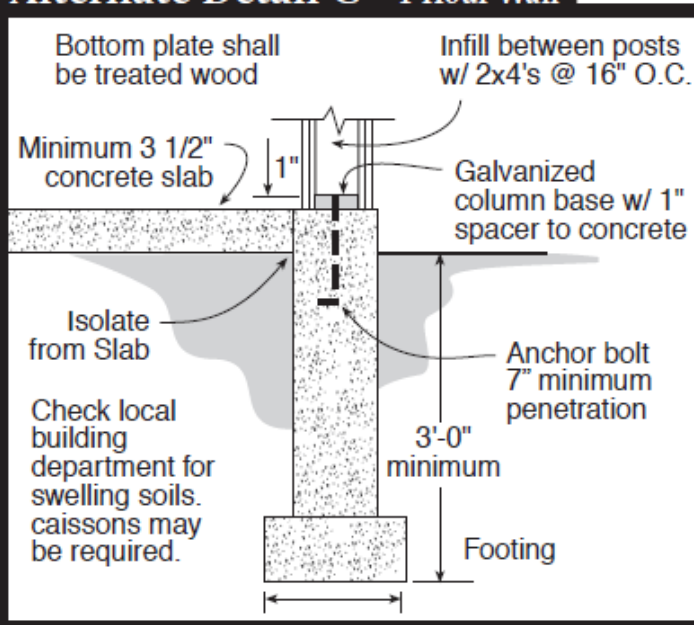
Alternate Detail B - 1 Hour Wall



Detail C



Alternate Detail C - 1 Hour Wall



*This handout is based on the Building Guides developed by the Colorado Chapter of the International Code Council.



City of Loveland

Application for Patio Cover or Carport

Building Division * 410 E 5th Street * Loveland, CO 80537
 General Information (970) 962-2505
 Inspection Line (970) 962-2100



Address: _____

Owner Name: _____ **Owner Phone:** _____

Owner Email: _____

Owner Address: _____
 (Street) (City) (State) (Zip)

Contractor Name: _____ **License Number:** _____ **Phone:** _____

Project Contact Name: _____ **Preferred Phone:** _____

Project Contact e-mail: _____

		Number of Bedrooms:	Number of Bathrooms: Full- 3/4- 1/2-	
Fireplace N Y # _____ Fuel Type _____	Fire Pits N Y # _____ Fuel Type _____	Type of Heat: Gas Electric	Electric Service Size: Amps: _____	Storage Shed (sf)
Basement (sf): Fin _____ Unfin _____	Garden Level (sf)	1st Floor (sf)	2nd Floor (sf)	3rd Floor (sf)
Garage: Detached _____ sf Attached _____ sf - Car garage	Carport: Detached _____ Attached _____ sf	Porch sf _____ (Roof? Y N) Roof sf: _____	Deck sf _____ (Roof? Y N) Roof sf: _____	Patio sf _____ (Roof? Y N) Roof sf: _____
		A/C: Yes No	City Calculated Valuation \$	
Historical Eligibility: N Y Historical Register: N Y	Residential Fire Sprinkler System Y N Submit to Loveland Fire Prevention: 970-962-2536		Client Total Valuation \$	

Describe Work/List Options:

	Electrical
	Subcontractor _____ Valuation \$ _____
	Mechanical
	Subcontractor _____ Valuation \$ _____
	Plumbing
	Subcontractor _____ Valuation \$ _____

I certify this application is correct. I agree to perform the work described according to plans and specifications submitted and approved. I agree to comply with all city ordinances, state laws and building codes. Additionally, **I UNDERSTAND THAT I AM RESPONSIBLE FOR ANY FEES OR EXPENSES INCURRED FOR PLAN REVIEW, PERMITS, INSPECTIONS AND OTHER FEES ASSOCIATED WITH THIS APPLICATION. FAILURE TO PICK UP AND PAY FOR THIS PERMIT WITHIN 90 DAYS OF APPROVAL WILL RESULT IN THE APPLICATION BEING CLOSED AND THE PLAN CHECK FEES BEING ASSESSED. ALL FEES UNDER THIS APPLICATION THEN BECOME NULL AND VOID. This application does not authorize any work within the right-of-way or curb cuts, contact Public Works at 970-962-2516.**

Signature: _____ **Date:** _____ Received By: _____ Date: _____

Building Division Comments	Client notification:
Planning Division Comments	Application Number:

Only enter the information as it pertains to the specific work performed under this application.